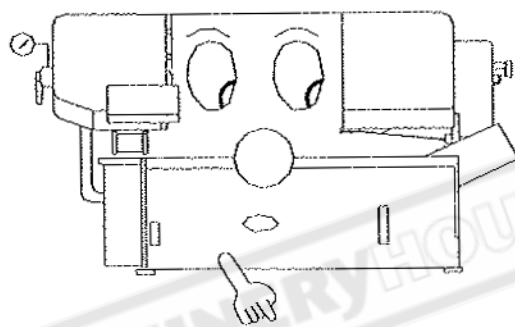


Section 9

PARTS LIST



1. SAW BOW

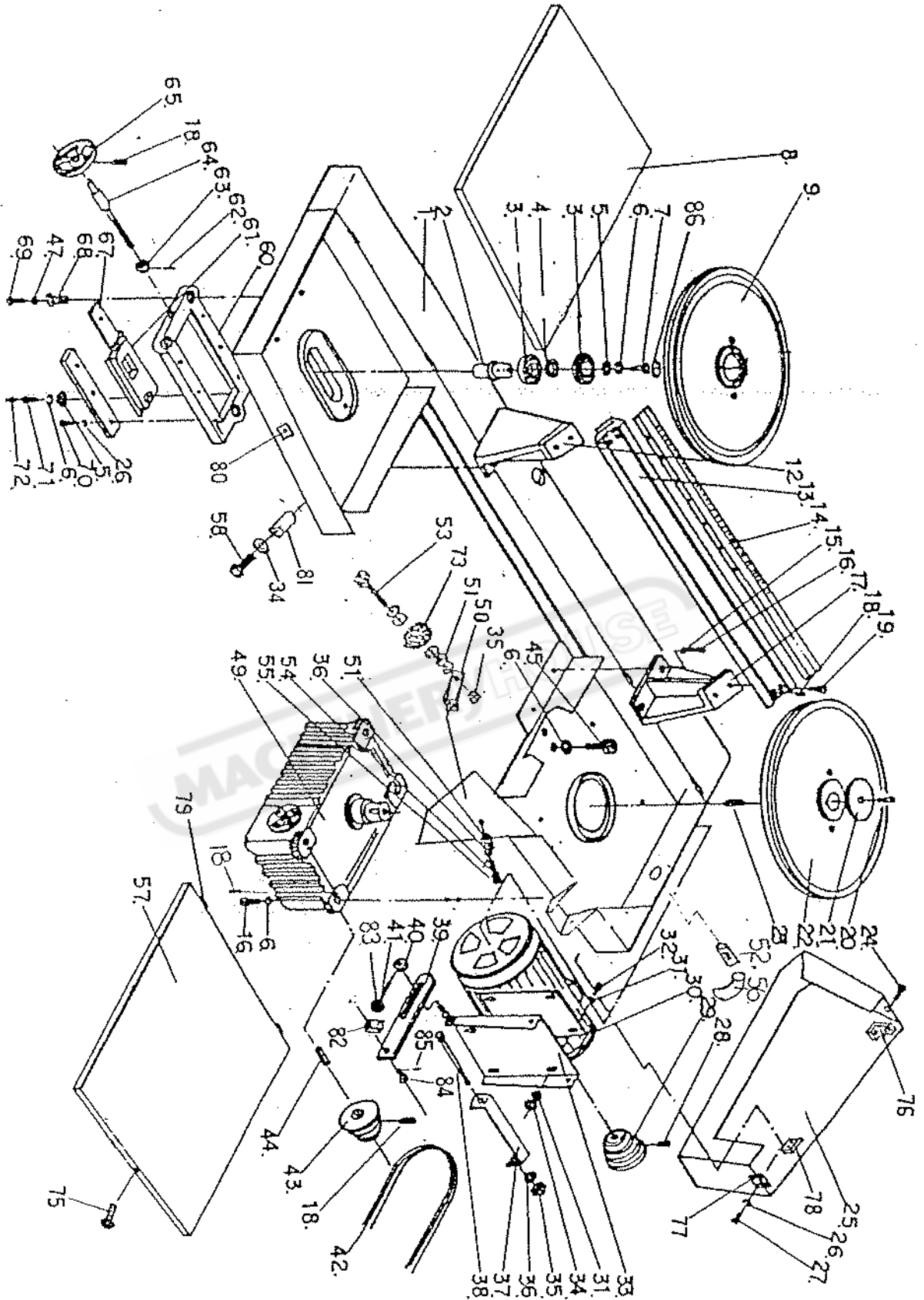


CHART 1 SAW BOW

NO.	PART NO.	PART NAME	PART NAME IN CHINESE	PART SPEC.	Q'TY
1	SYM-5001	Saw bow	弓鋸頭		1
2	SJY-1114	Idle wheel shaft	上輪軸		1
3	PP-14130	Bearing	軸承	6205Z	2
4	MAE-2025	Bearing washer	上輪軸墊圈		1
5		Washer	平面華司	M12	2
6		Spring washer	彈簧華司	M12	8
7		Bolt	外六角螺絲	M12*20L	1
8	MJA-2014	Wheel cover (left)	上下輪箱蓋		1
9	MJA-2017A	Idle wheel	上輪		1
10				DELETED	
11				DELETED	
12	SYM-5003	Bracket (left)	左鋸臂滑板固定座		1
13	SJY-1105	Dovetail guide	鋸臂滑板		1
14	MJA-2044	Gauge plate (ruler)	銘板	CS-5	1
15		Spring washer	彈簧華司	M12	4
16		Bolt	內六角螺絲	M12*30L	8
17	SYM-5004	Bracket (right)	右鋸臂滑板固定座		1
18		Set screw	止付螺絲	M8*20L	10
19		Screw	內六角螺絲	M10*30L	4
20		Screw	內六角螺絲	5/16*3/4	1
21	MJA-2013	Washer (B)	下輪軸蓋		1
22	SJY-1118	Drive wheel	下輪		1
23		Key	鍵	10*8*20 mm	1
24	PP-53021	Screw	梅花螺絲	M6*12L	1
25	MJA-2008C	Pulley cover	皮帶輪護蓋		1
26		Spring washer	彈簧華司	M6	12
27		Screw	丸頭螺絲	M6*12L	4
28		Set screw	止付螺絲	M8*10L	1
29	SJY-1119	Motor pulley	馬達普利		1
30	PP-31041	Motor	馬達	2HP,4P	1
31		Washer	彈簧華司	M10	4
32		Screw	外六角螺絲	M10*25L	5
33	MJA-2067	Motor mounting plat	馬達底板		1
34		Nut	螺帽	M10	5
35		Nut	螺帽	M8	2
36		Spring washer	彈簧華司	M8	2
37	MJA-2069A	Bracket	馬達調整架		1
38	MJA-2072	Lock screw	馬達架螺絲		1
39	MJA-2068	Adjusting plate	馬達調整板		1
40	SJY-1127	Lock nut	固定螺母		1
41	SJY-1126	Lever	馬達調整固定把手		1
42	PP-56100	V Belt	皮帶	A-39	1
43	MJA-2011C	Transmission pulley	減速機皮帶輪		1
44		Key	鍵	7*7*25 mm	1
45		Bolt	內六角螺絲	M12*40L	6
46				DELETED	

CHART 1 SAW BOW

NO.	PART NO.	PART NAME	PART NAME IN CHINESE	PART SPEC.	Q'TY
47				DELETED	
48				DELETED	
49	PP-16022	Gear box	減速機	70#	1
50	SJY-1136	Bracket	鋼刷固定板		1
51		Washer	平面華司	M8	5
52		Coolant nozzle	水管接頭	PT1/8*3/8PE	2
53		Screw	內六角螺絲	M8*25L	1
54		Screw	內六角螺絲	M8*12L	1
55	MAM-2041	Wire brush cover	鋼刷護蓋		1
56		包沙管	Hose	3/8*500l	1
57	MJA-2014	Wheel cover (right)	上下輪箱蓋		1
58		Screw	外六角螺絲	M10*25L	1
59				DELETED	
60	SJY-11029	Tension plate	張力調整滑座		1
61	SJY-11029	Adjusting slide	張力調整板		1
62		Spring pin	彈簧銷	φ 3*25L	1
63	MJA-2024	Collar	張力調整固定圈		1
64	SJY-1115	Blade tensioning scr	張力調整螺桿		1
65	SJY-1103	Hand wheel	手輪		1
66				DELETED	
67	SJY-11029	Guide plate	壓條(半)		2
68	SJY-1104	Adjusting bolt	張力調整螺絲	M16*40L	3
69		Screw	外六角螺絲	M10*50L	3
70		Screw	外六角螺絲	M6*20L	6
71	SJY-1150	Nipple	關節油嘴		1
72		Nipple	油嘴	1/16"	1
73	PP-58002	Wire brush	鋼刷	90*8 mm #0.3	1
74					
75	PP-53030	Screw	梅花螺絲	1/4*3/4	2
76	KM-2012	Bracket	輪箱蓋固定板		1
77	MAE-2027B	Hinge	鉸鏈		1
78	SJY-1120	Bracket	護蓋固定板		1
79	MJA-1004	Pin	箱蓋栓		4
80	MJA-2054	Bracket	輪蓋固定板		2
81	SJY-1128	Bracket	鋸弓定位塊		1
82	MJA-2070	Adjusting plate	馬達調整塊		1
83	PP-52040	Plastic ball	塑膠球	3/8"	1
84	MJA-2073	Adjusting nut	調整螺母		1
85		Pin	開口梢	5/32*1 1/4	1
86		Snap ring	扣環	R52	2
87					
88					
89					
90					
91					
92					

CHART 2 BLADE GUIDE ARMS

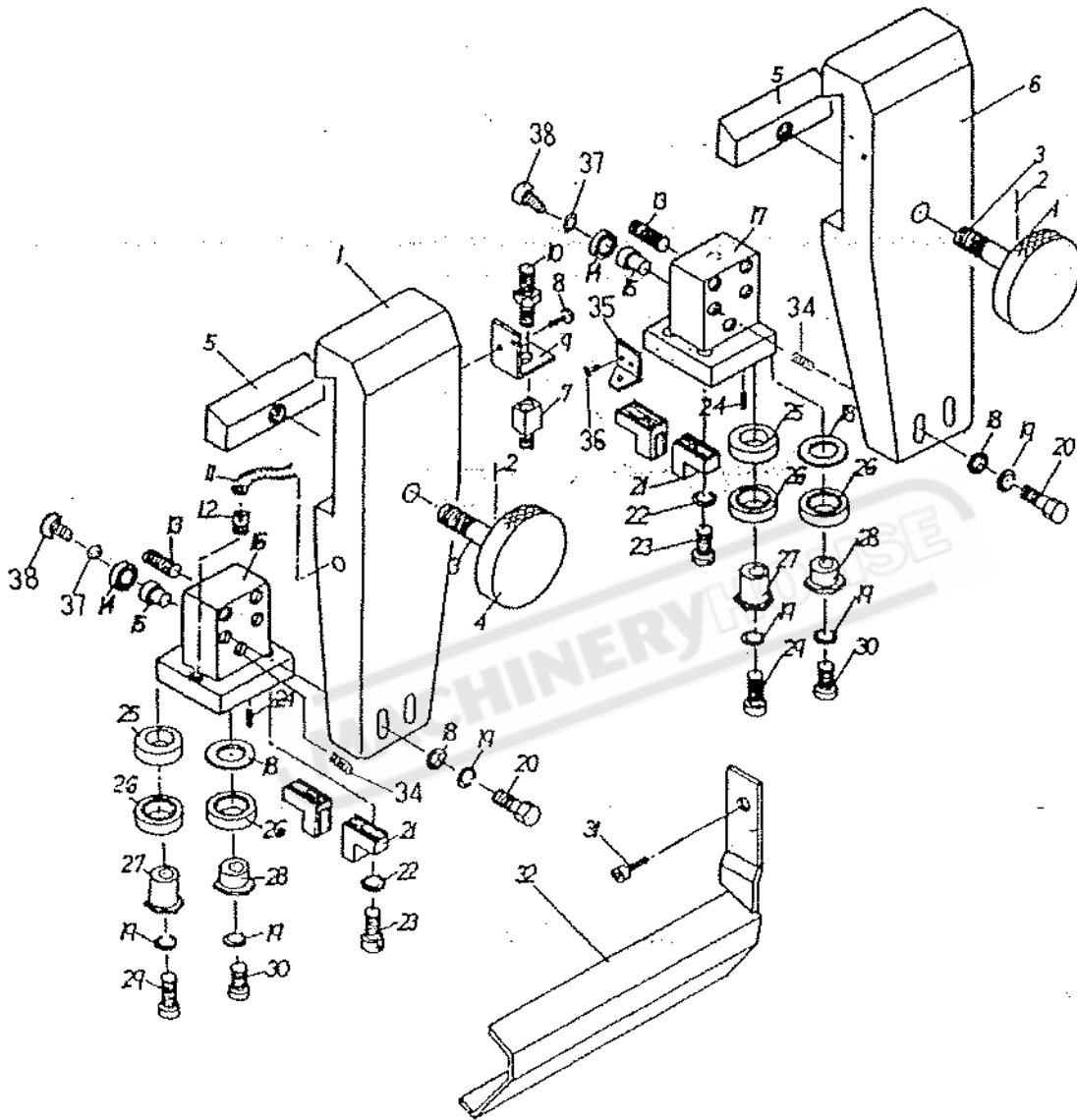


CHART 2 BLADE GUADE ARMS

NO.	PART NO.	PART NAME	PART NAME IN CHINESE	PART SPEC.	QTY
1	SYM-8005	Guide arm (left)	左鋸臂		1
2		Spring pin	彈簧梢	φ3*30L	1
3		Bolt	外六角螺絲	1/2-20UNF*2 3/8	1
4	MJA-2031	Guide handle	鋸臂把手組		1
5	MJA-2032	Clamping block	鋸臂固定塊		2
6	SYM-8006	Guide arm (right)	右鋸臂		1
7	PP-43132	Coolant valve	開關閥	1/8	1
8		Screw	丸頭螺絲	M5*10L	4
9	MJA-2041	Bracket	水龍頭座板		2
10	MJA-2043	Fitting	水管接頭	PT1/8	2
11		Hose	水管	1/4*2500L	2
12	MAB-6014	Coolant nozzle	固定塊水管接頭		2
13		Set screw	止付螺絲	M6*12L	4
14	PP-14211	Guide bearing	軸承	608ZZ	2
15	SJY-1112	Bearing shaft	下壓滾輪軸		2
16	SJY-1110	Guide seat (left)	左導輪座		1
17	SJY-1111	Guide seat (right)	右導輪座		1
18		Washer	平面華司	M8	6
19		Spring washer	彈簧華司	M8	8
20		Screw	內六角螺絲	M8*30L	4
21	MAB-6006	Tungsten carbide blade guide	鋸片固定塊		4
22		Spring washer	彈簧華司	M6	4
23		Screw	內六角螺絲	M6*25L	4
24		Set screw	止付螺絲	M6*10L	2
25	MAB-6008	Washer	偏心輪墊圈		2
26	PP-14003	Guide bearing	軸承	6202ZZ	4
27	MAB-6005	Eccentric bushing (long)	長偏心輪		2
28	MAE-2041	Eccentric bushing (short)	短偏心輪		2
29		Screw	內六角螺絲	M10*40L	2
30		Screw	內六角螺絲	M10*25L	2
31		Screw	內六角螺絲	M6*10L	1
32	MJA-2038	Blade guard	鋸片護蓋		1
33					
34		Set screw	止付螺絲	M8*16L	2
35	SJY-1134	Bracket	水龍頭固定板		2
36		Screw	內六角螺絲	M5*10L	4
37		Washer	平面華司	M4	2
38		Screw	丸頭螺絲	M4*6L	2
39					
40					
41					
42					
43					
44					
45					
46					

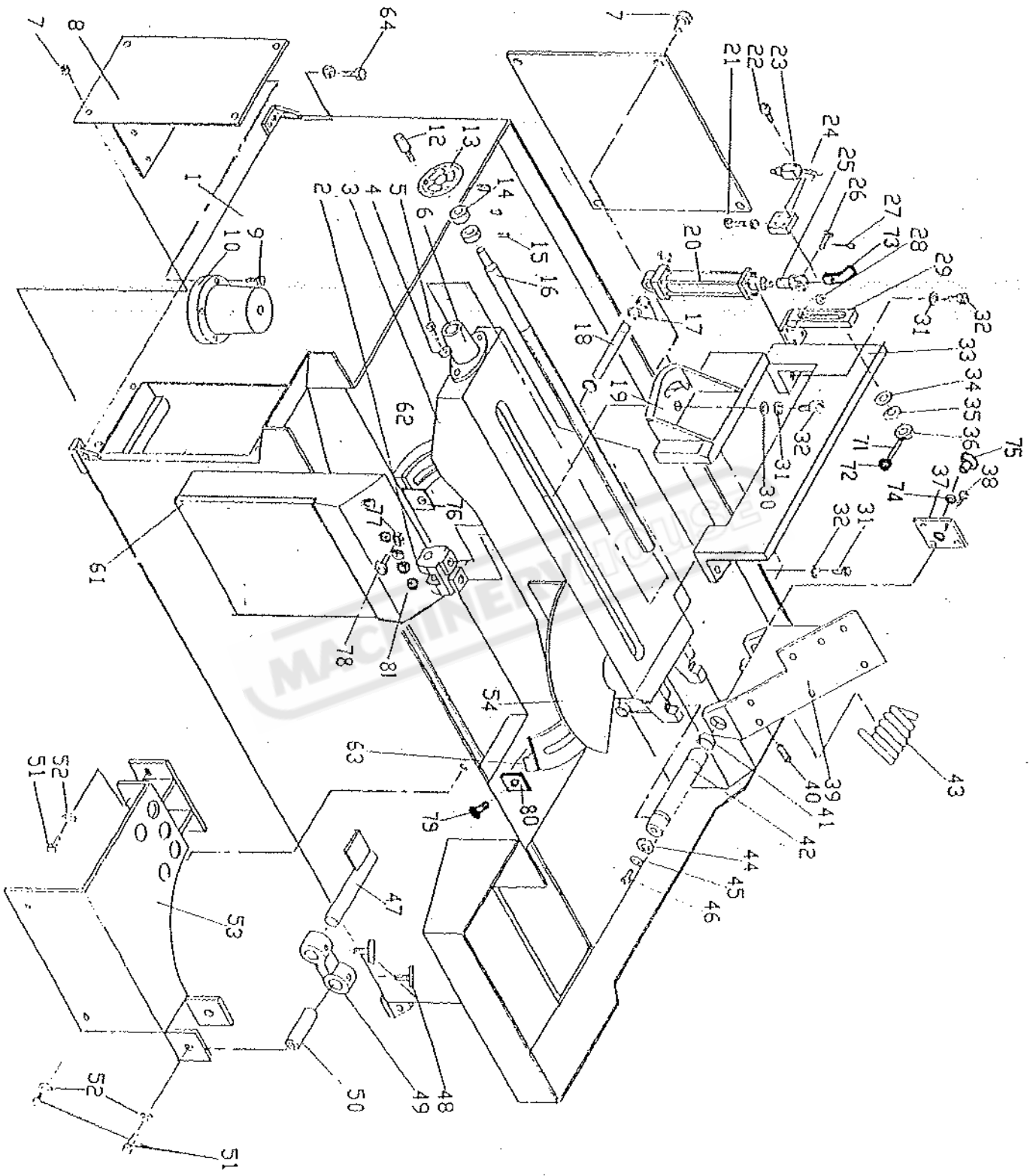


CHART 3 BASE ASSEMBLY AND BED

NO.	PART NO.	PART NAME	PART NAME IN CHINESE	PART SPEC.	Q'TY
1	SYM-6001	Base	底座		1
2	SJY-1149B	Lead screw nut	導桿螺母		1
3	SYM-6017A	Bed	床面		1
4		Spring washer	彈簧華司	M10	4
5		Bolt	外六角螺絲	M10*25L	2
6	MJA-1012A	Screw sleeve	導螺桿座		1
7		Screw	外六角螺絲	M6*12L	4
8		Pump cover	幫浦護蓋		1
9		Screw	外六角螺絲	M6*20L	4
10	PP-32042	Pump	浸水幫浦	1/8HP,3 ϕ ,150L	1
11				DELETED	
12	PP-52030	Handle	手輪柄	3/8"	1
13	PP-52020	Hand wheel	手輪	6", 20 ϕ	1
14	MJA-1013	Collar	導輪桿固定圈		1
15		Spring pin	彈簧銷	ϕ 6*30L	1
16	MJA-1014	Vise lead screw	導輪桿		1
17		Snap ring	扣環	A30	1
18	SJM-4020B	Cylinder pivot	油壓缸活動軸		1
19	SJY-1151	Movable vise jaw	活動虎鉗		1
20	SJM-4026	Cylinder	油壓缸		1
21		Screw	外六角螺絲	M8*19L	1
22		Screw	丸頭螺絲	M5*35L	4
23	PP-90020	Limit switch	限動開關	D4MC-5000	1
24	SJY-1131	Switch bracket	限動開關滑座		1
25		Piston head	油壓油Y接頭		1
26	SJM-4028	Splite pin	油壓缸固定梢		1
27		Cotter pin	開口梢	5/32*1 1/4"	1
28		Screw	外六角螺絲	M8*60L	2
29		Height setting slide	限動開關滑板		1
30		Washer	平面華司	M12	3
31		Spring washer	彈簧華司	M12	5
32		Bolt	外六角螺絲	M12*38L	5
33	SYM-6002	Fixed vise jaw	固定虎鉗		1
34		Washer	平面華司	M16	1
35		Spring washer	彈簧華司	M16	1
36	SJY-1127	Fixed nut	固定螺母		1
37	SYM-5010	Stopper plate	關節座蓋板		1
38		Screw	平頭內六角螺絲	M5*10L	4
39	SYM-5002	Saw bow bracket	關節座		1
40		Set screw	止付螺絲	M6*12L	2
41	PP-13190	Needle bearing	乾式軸承	3015	2
42	SYM-6007	Pivot	關節軸		1
43	MJM-5006B	Spring	回程彈簧		1
44				DELETED	
45				DELETED	
46				DELETED	

CHART 3 BASE ASSEMBLY AND BED

NO.	PART NO.	PART NAME	PART NAME IN CHINESE	PART SPEC.	QTY
47	MBR-9037	Stopper	定寸擋桿		1
48	PP-53009	Lock bolt	梅花螺絲	M10*30L	2
49	MBR-9036	Stopper bracket	定寸滑座		1
50	SYM-6011	Pivot	定寸轉軸		1
51		Screw	外六角螺絲	M8*20L	2
52		Spring washer	彈簧華司	M8	2
53	MAM-1010		定寸座		1
54	MAM-1011		托架		1
55				DELETED	
56				DELETED	
57				DELETED	
58				DELETED	
59				DELETED	
60				DELETED	
61	MJA-4005-CE	Electric box	控制箱		1
62	SYM-6008	Turning slide	旋轉軌道 A		1
63	SYM-6009	Turning slide	旋轉軌道 B		1
64		Screw	外六角螺絲	M12*35L	4
65				DELETED	
66				DELETED	
67				DELETED	
68				DELETED	
69				DELETED	
70				DELETED	
71	SJY-1126	Fixed handle	固定把手		1
72	PP-52040	Plastic ball	塑膠球	3/8	1
73	SYM-5022	Bracket	油壓缸固定耳		1
74	MLA-1010	Washer	耐磨墊圈		3
75	SYM-5008	Plate	關節墊圈壓板		1
76	SYM-6019	Bracket	定位板		2
77		Nut	螺母	M10	2
78		Screw	外六角螺絲	M10*40L	2
79		Screw	外六角螺絲	M10*20L	2
80	SYM-6014	Fixed nut	固定螺母		2
81	SJA-6001B	Control plate	控制面板		1
82					
83					
84					
85					
86					
87					
88					
89					
90					
91					
92					

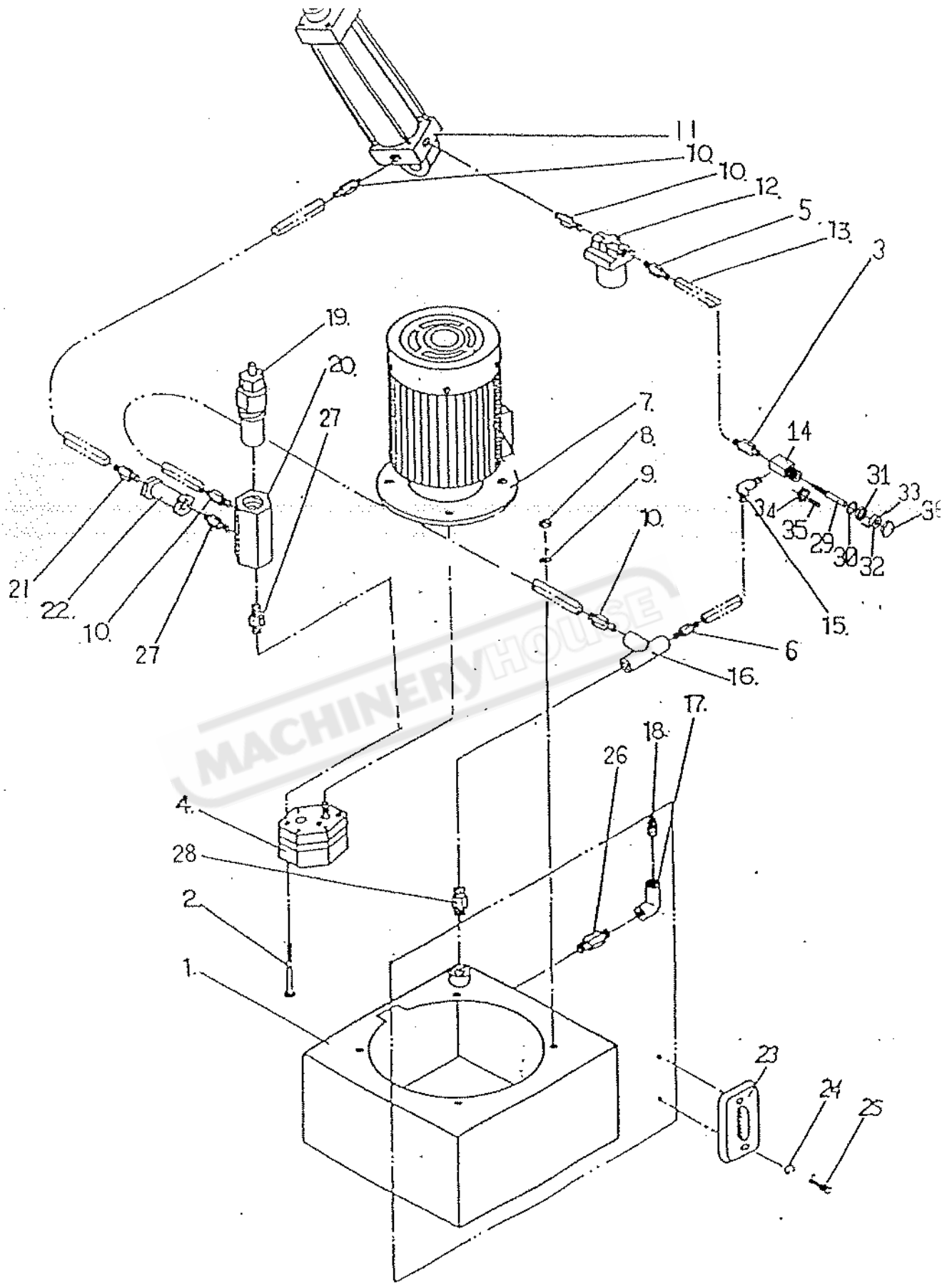


CHART 4 HYDRAULIC SYSTEM

NO.	PART NO.	PART NAME	PART NAME IN CHINESE	PART SPEC.	Q'TY
1	SJY-2105A	Hydraulic oil tank	油壓箱		1
2		Screw	內六角螺絲	M6*25L	4
3		Pipe connector	直接頭	PT1/8*1/4H	1
4	PP-32200	Oil pump	油壓幫浦		1
5		Pipe connector	直接頭	PT1/4*1/4H	1
6		Pipe connector	直接頭	PT1/4*PT1/4	1
7	PP-31311	Motor	馬達	1/4HP	1
8		Nut	螺帽	M10	4
9		Spring washer	彈簧華司	M10	4
10		Pipe connector	彎接頭	1/4T*1/4H	4
11	SJM-4026	Cylinder	油壓缸		1
12	PP-43601	Solenoid	電磁閥	MA1B-D1353-00-110	1
13		Hydraulic hose	油管	1/4	1
14	ACA-2063-2	Feed rate valve	流量閥本體		1
15		Elbow	彎接頭	PT1/8*1/4H	1
16		TEE	三通接頭	PT1/4	1
17		Elbow	彎頭	PT1/2	1
18		Socket hd.plug	塞頭	1/2	1
19	ACA-10100	Relief valve	洩壓閥整組		1
20	KM-1040	Oil distributing block	減壓閥固定座		1
21		Pipe connector	彎接頭	PT3/8*1/4H	1
22	PP-43110	Check valve	止回閥		1
23	PP-21030	Oil level gauge	油面計		1
24		Spring washer	彈簧華司	3/8	2
25		Screw	螺絲		2
26		Pipe connector	直接頭	PT1/2*PT1/2	1
27		Pipe connector	直接頭	PT1/4*PT3/8	1
28		Pipe connector	直接頭	PT1/2*PT1/4	1
29	ACA-2063-1	Adjusting rod	流量閥調整桿		1
30		Washer	平面華司	φ 16	1
31	MAJ-4010	Nut	六角螺帽		1
32	MAJ-4007	Pointer & Bracket	指針及座		1
33		Screw	丸頭螺絲	3/16*3/8	1
34		Nut	螺母	3/16	1
35	MAJ-4008	Pointer rod	指針擋桿		1
36		Knob	旋鈕		1
37					
38					
39					
40					
41					
42					
43					
44					
45					
46					